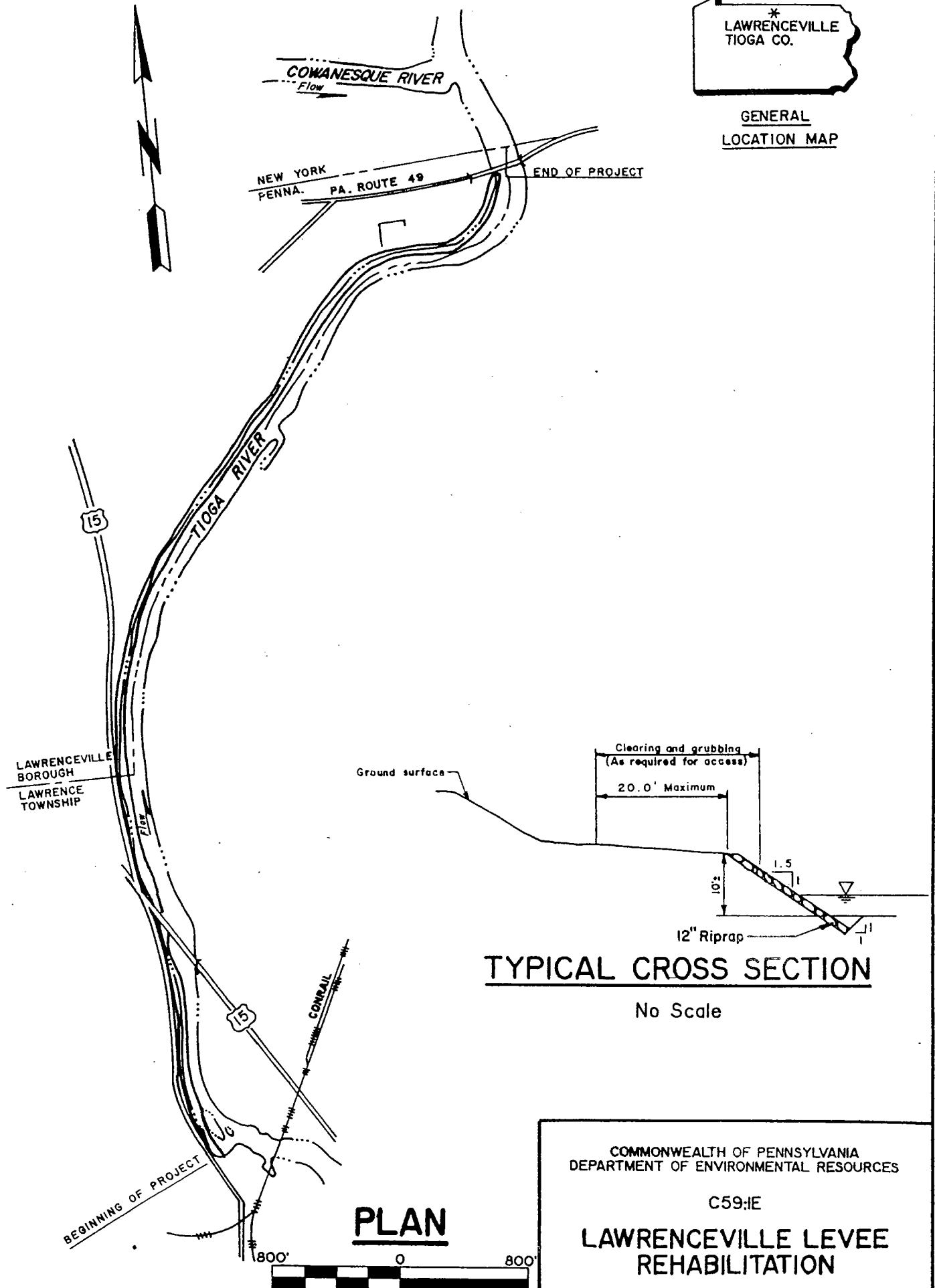


GENERAL  
LOCATION MAP



Ground surface

Clearing and grubbing  
(As required for access)

20.0' Maximum

10'

12" Riprap

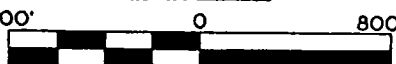
1.5

1'

**TYPICAL CROSS SECTION**

No Scale

**PLAN**



COMMONWEALTH OF PENNSYLVANIA  
DEPARTMENT OF ENVIRONMENTAL RESOURCES

C59:IE

**LAWRENCEVILLE LEVEE  
REHABILITATION**

\*  
LAWRENCEVILLE  
TIOGA CO.



Flow → COWANESQUE RIVER

NEW YORK  
PENNA  
Mechanic St.

D.S No. 10 (24" RCP)

Levee

D.S No. 9 (Removed)

D.S No. 8 (42" RCP)

D.S No. 7 (24" RCP)

D.S No. 6  
(6' x 4' RCB)

BOROUGH OF  
LAWRENCEVILLE  
LAWRENCE  
TOWNSHIP

D.S No. 5  
(42" RCP)

Levee Road

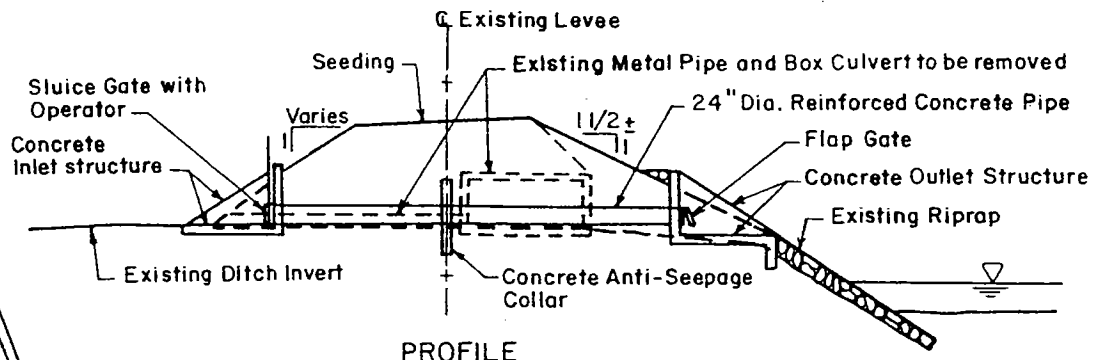
D.S No. 4  
(42" RCP)

D.S No. 3  
(Filled with concrete)

D.S No. 2  
(36" CMP)

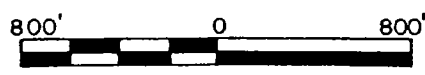
Beers Rd.  
D.S No. 1  
(6' x 4' RCB)

DRAINAGE STRUCTURE (DS)	CULVERT SIZE AND TYPE
1	6' x 4' RCB
2	36" CMP
4	42" RCP
5	42" RCP
6	6' x 4' RCB
7	24" RCP
8	42" RCP
10	24" RCP



PROFILE  
DRAINAGE STRUCTURE NO. 10  
No Scale

PLAN



COMMONWEALTH OF PENNSYLVANIA  
DEPARTMENT OF ENVIRONMENTAL PROTECTION

C 59:1

LAWRENCEVILLE LEVEE  
REHABILITATION PROJECT

**LAWRENCEVILLE LEVEE REHABILITATION PROJECT, C59:1E**

**LOCATION:** Tioga River, Borough of Lawrenceville and Lawrence Township  
Tioga County

**QUADRANGLE:** Jackson Summit, **Latitude:** 41°59'00", **Longitude:** 77°07'30"

**SPONSOR:** Borough of Lawrenceville

**PROJECT DESCRIPTION:** The project consisted of the rehabilitation of the existing levee along the west bank of the Tioga River near its confluence with the Cowanesque River in Lawrenceville Borough and Lawrence Township, Tioga County. The levee project is approximately 7,000 feet in length. The levee starts just downstream of the Conrail bridge in Lawrence Township and extends downstream into the Borough of Lawrenceville, tying into the PA Route 49 bridge near the mouth of the Cowanesque River and the New York state line.

Flood flows on the Tioga River at Lawrenceville are controlled by the Tioga-Hammond Dam, located about 8 miles upstream from Lawrenceville and completed by the U.S. Army Corps of Engineers in 1980.

**DESIGNER:** Department

**CONTRACT NO.:** C59:1E-101.1

**PERMIT NO.:** Unknown

**BID OPENING:** July 22, 1976

**CONTRACT AWARD:** August 6, 1976

**LOW BIDDER:** Irving N. Loomis & Sons, Montrose, Pa.

**PROJECT COMPLETED:** June 30, 1977

**CONSTRUCTION COST:** \$375,658.00

**DESIGN CRITERIA:**

Drainage Area: 760 SM

Flood of Record:  
(May 1946 and June 1972)

Design Discharge: 15,900 CFS (regulated by Tioga-Hammond Dam)

FIS 100-Year Discharge: 16,715 CFS

**QUANTITIES:**

11,727	C.Y.	Excavation (All Types)
11,141	C.Y.	Fill
15,916	S.Y.	12-Inch Riprap
4,083	S.Y.	18-Inch Riprap
3	AC.	Seeding

Project turned over to sponsor for operation and maintenance on October 12, 1977.